

Heat Shields



For use with
Stovax, Yeoman & Kensal Freestanding Stove Ranges

Instructions for Installation

For use in GB & IE (Great Britain & Republic of Ireland).

IMPORTANT

These instructions are designed to complement the appliance installation and user guide in order to install a Stovax, Yeoman or Kensal Freestanding Stove. This supplement should be read in conjunction with the supplied manuals to ensure all the correct installation procedures are followed in order to safely operate the appliance with a Heat Shield.

All kits should only be used in conjunction with Twin Wall Flue Pipe and the minimum height connection between the appliance and flue pipe.

DO NOT MODIFY THE HEAT SHIELDS.

Installation Instructions

Covering the following models:

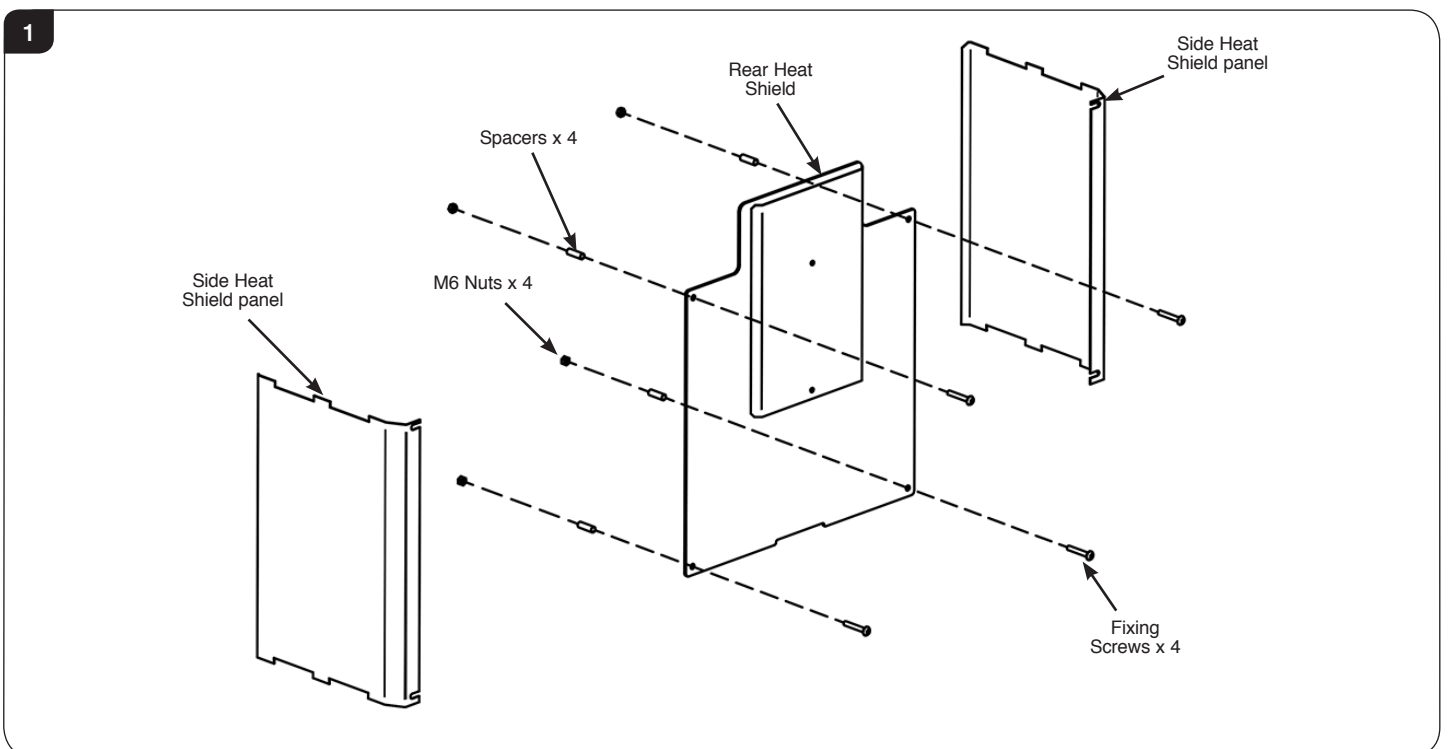
Model	Riva Vision Small	Riva Vision/ Vogue Midi	Stockton				
			3	4	5/ 5 ML	6	7
Heat Shield Kit	RVN-SMHSK	RVN-MIDHSK	3HSK	ST4HSK	5HSK	ST6HSK	ST7HSK

Model	View			
	3	5/ 5 ML	5T/ 5T ML	8/8 ML/ 8HL
Heat Shield Kit	VW-3HSK	VW-5HSK	VW-5THSK	VW-8HSK

Model	Yeoman CL		Yeoman		Kensal	
	CL3	CL5/ CL5 ML/ CL5 HL	Exe	Exmoor	20	33
Heat Shield Kit	YM-CL3-HSK	YM-CL5-HSK	YM-EXE-HSK	YM-EXM-HSK	3HSK	5HSK

Top flue versions only. Not suitable for Boiler, Inset or Canopied Stoves.

1. Packing List



- 1 x Instructions
- 1 x Rear Heat Shield
- 2 x Side Heat Shields
- 4 x Fixing screws
- 4 x Spacers
- 4 X M6 Nuts

Tools Required

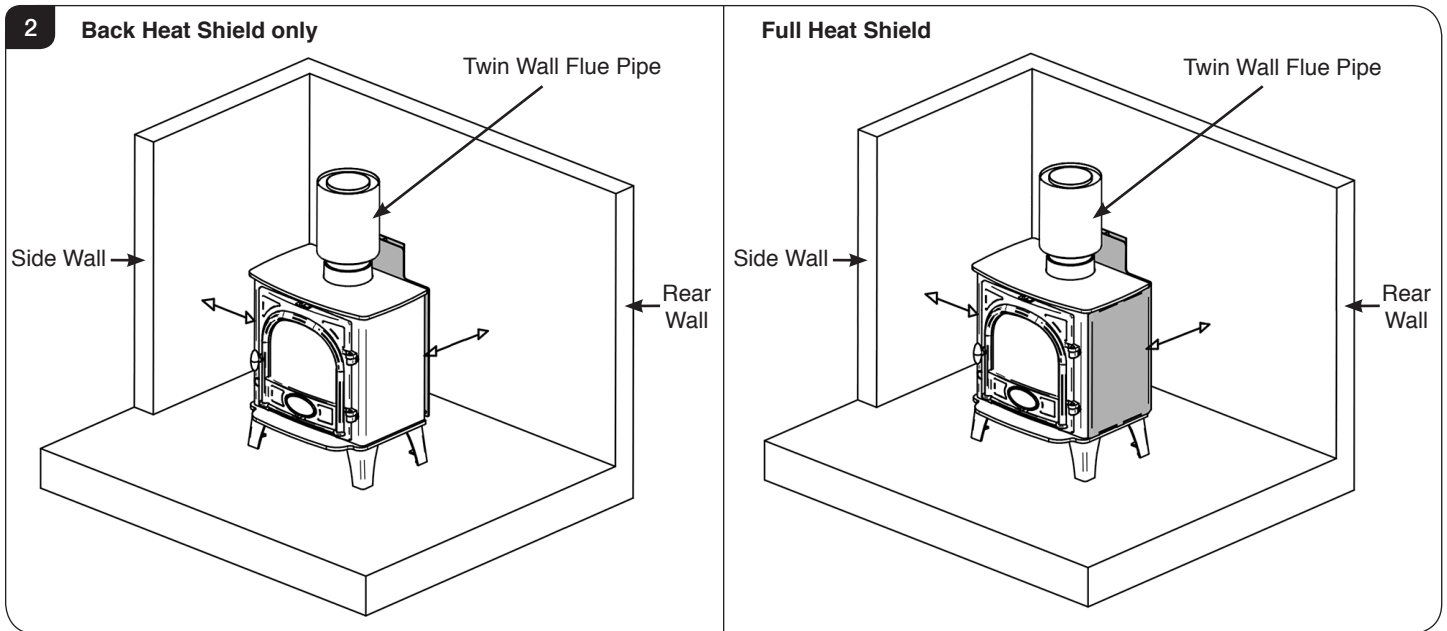
- Ø 5mm Drill
- M6 Tap
- 4mm Hex Key
- Ø 10mm Drill (for use with Vision Outside Air kit only)



All kits should only be used in conjunction with Twin Wall Flue Pipe and minimum height connection between the appliance and flue pipe.

Installation Instructions

2. Options & Clearances



Back Heat Shield only

Fitting this heat shield allows a reduction in the clearance to combustible material dimensions to the values as listed:-

Model	Riva Vision Small	Riva Vision/Vogue Midi	Stockton				
			3	4	5/5 ML	6	7
Side	350	400	450	450	400	425	425
Back	100	100	150	150	200	250	250

Model	View		Yeoman CL		Yeoman		Kensal	
	3	5/5 ML/5T/5T ML	CL3	CL5/CL5 ML/CL5 HL	Exe	Exmoor	20	33
Side	500	450	500	450	550	400	450	400
Back	200	200	200	200	250	100	150	200

Full Heat Shield

Fitting this heat shield allows a reduction in the clearance to combustible material dimensions to the values as listed:-

Model	Riva Vision Small	Riva Vision/Vogue Midi	Stockton				
			3	4	5/5 ML	6	7
Side	300	350	350	350	250	300	300
Back	100	100	150	150	150	200	200

Model	View		Yeoman CL		Yeoman		Kensal	
	View 3	5/5 ML/5T/5T ML	CL3	CL5/CL5 ML/CL5 HL	Exe	Exmoor	20	33
Side	400	300	400	300	450	300	350	250
Back	200	200	200	200	250	100	150	150

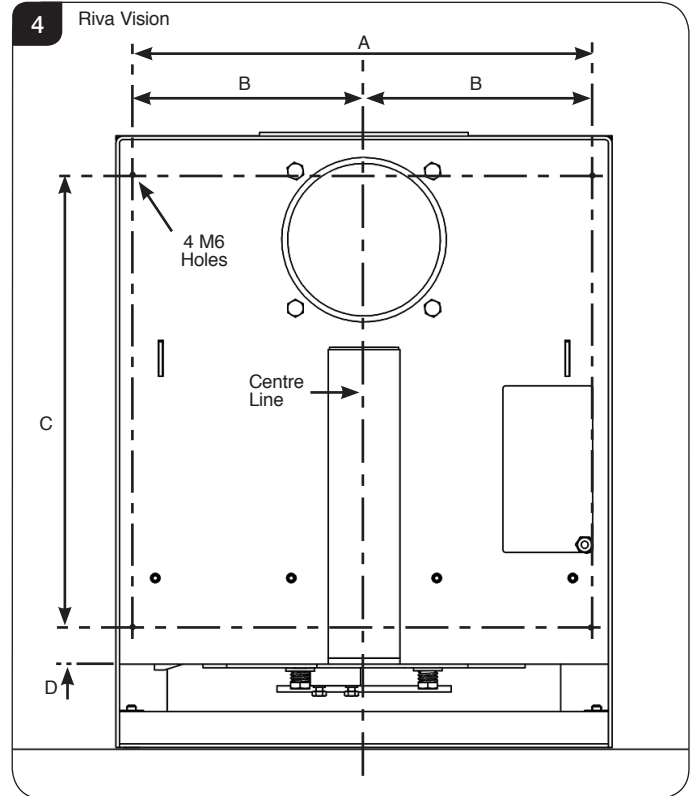
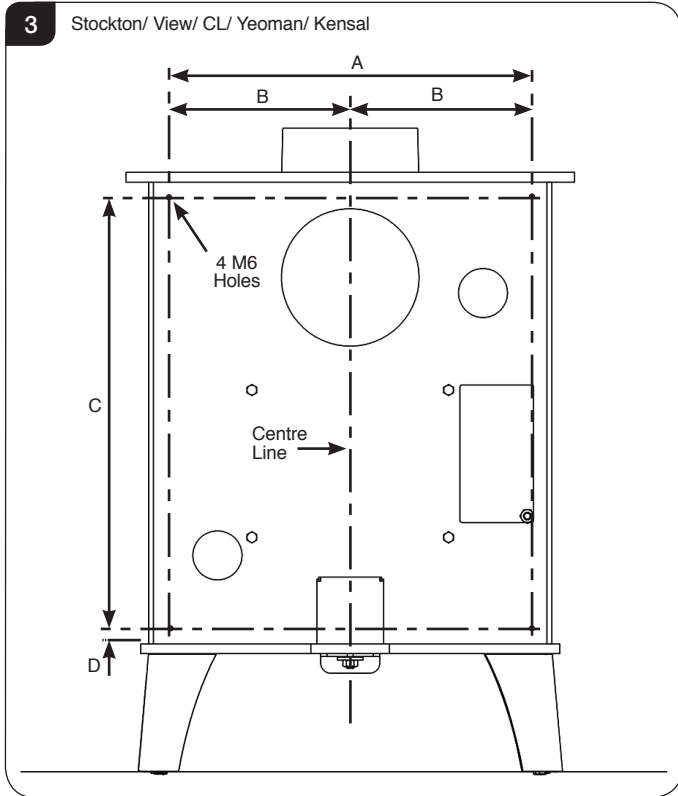
These Dimensions are measured from the sides and back of the appliance.

Ensure the correct clearance to combustible materials is maintained from any connecting flue pipes, as detailed in Building Regulations Approved Document J.

Installation Instructions

3. Drilling Template

3.1 Mark out and drill 4 x M6 tap holes on the back of the appliance in the positions shown in Diagrams 4 & 5 using the dimensions below:

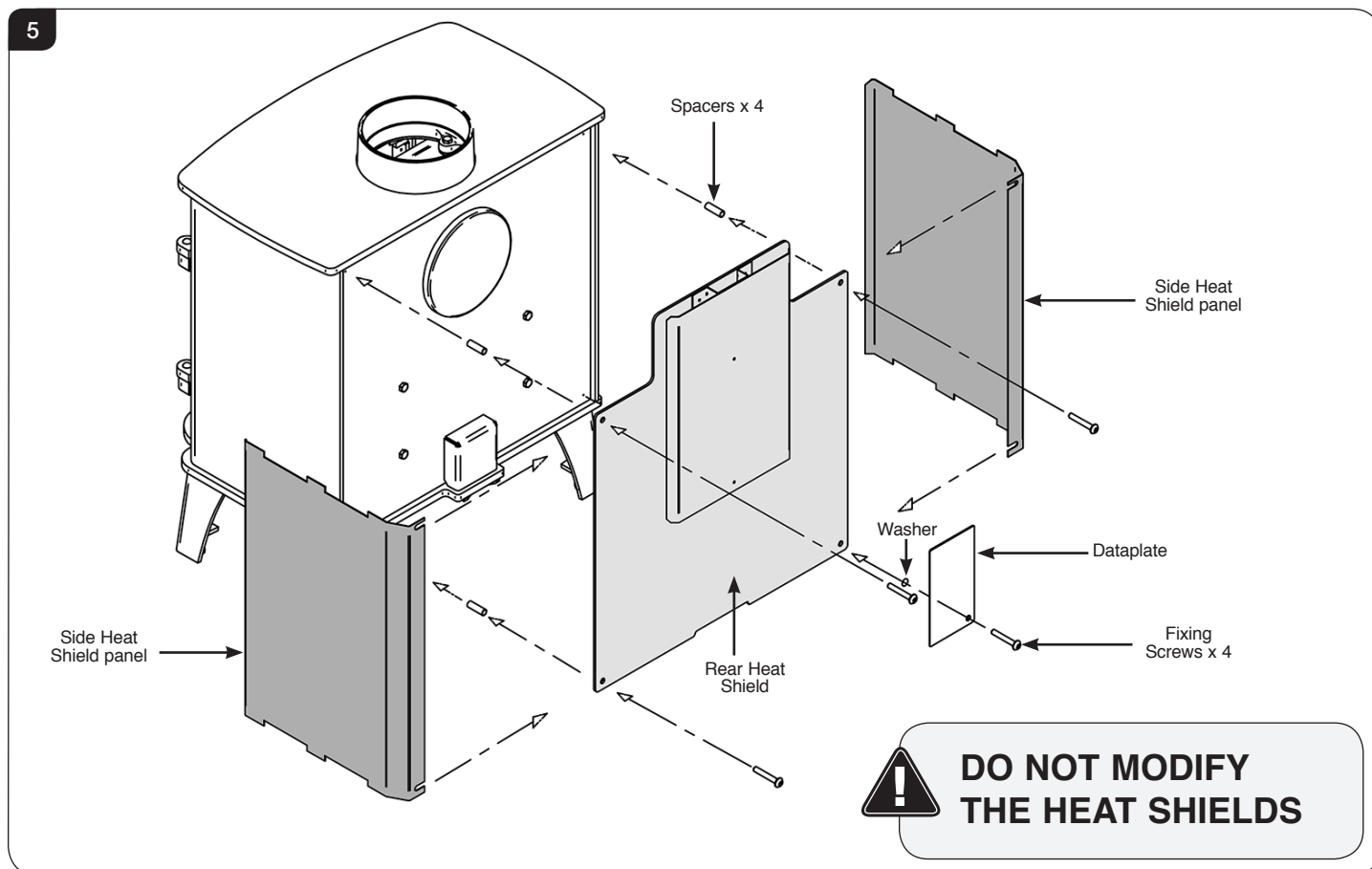


Model	A	B	C	D
Stockton 3	326	163	371	12
Stockton 4	326	163	416	12
Stockton 5/ Stockton 5 Midline	400	200	381	12
Stockton 6	376	188	446	12
Stockton 7	456	228	416	12
View 3	326	163	371	12
View 5/ View 5 Midline	400	200	381	12
View 5T/5T Midline	400	200	493	12
Yeoman CL3	326	163	371	12
Yeoman CL5/ CL5 Midline/ CL5 Highline	400	200	382	12
Yeoman Exe	495	248	394	12
Yeoman Exmoor	356	178	391	12
Riva Vision Small	340	170	380	18
Riva Vision Midi/Vogue Midi	386	193	381	32
Kensal 20	326	163	371	12
Kensal 33	400	200	381	12

3.2 Remove Dataplate and washer from the rear of the appliance. **These must be refitted during the installation of the Heat Shields.**

Installation Instructions

4. Installation



4a. Rear Heat Shield

! If an Outside Air kit has been fitted (Vision Small & Midi only) see section 5 before installing the Heat Shields.

Ensure that the Dataplate and washer have been removed from the rear of the appliance.

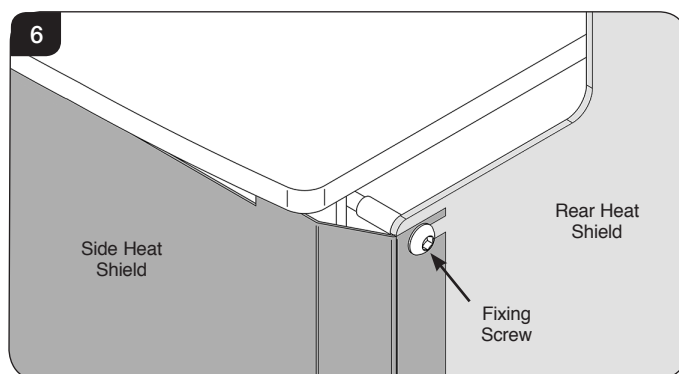
Note: The Dataplate must be fitted to the bottom right of the rear Heat Shield during installation.

- 4a.1 Align the rear Heat Shield with the back of the appliance. Loosely secure with the top 2 and bottom left fixing screws and spacers, see Diagram 5.
- 4a.2 Loosely secure the Dataplate and washer to the bottom right of the rear Heat Shield using the remaining screw and spacer, see Diagram 5. Ensure that the washer is located between the Dataplate and Heat Shield.
- 4a.3 If side Heat Shields are to be fitted do not tighten the screws at this point, see Section 4b.
- 4a.4 If not fitting side Heat Shields tighten the fixing screws to finish the installation.
Do not over tighten the fixing screws.

4b. Side Heat Shields

Take care not to scratch the appliance when locating the Heat Shields.

- 4b.1 Carefully align the fixing slots with the screws securing the rear Heat Shield to the back of the appliance. **The top and the bottom left fixing slots must locate behind the rear Heat Shield, see Diagram 6.**

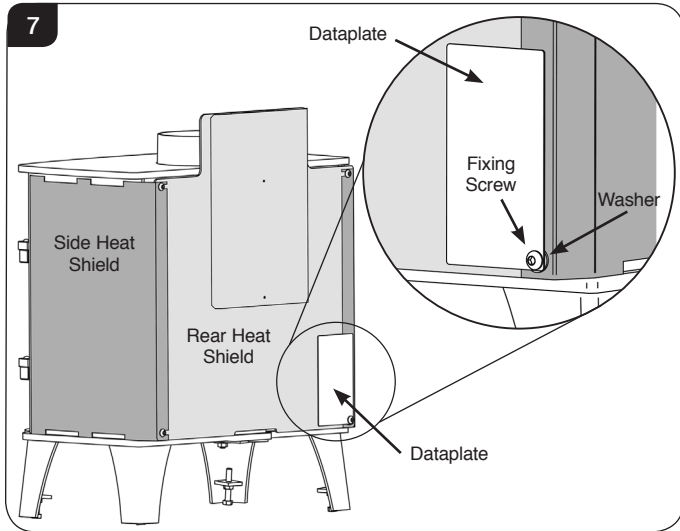


! Ensure the correct clearance to combustible materials is maintained from any connecting flue pipes, as detailed in Building Regulations Approved Document J.

Installation Instructions

5. Flue Pipe Installation

The bottom right fixing slot must locate between the rear Heat Shield and the Dataplate washer, see Diagram 7.

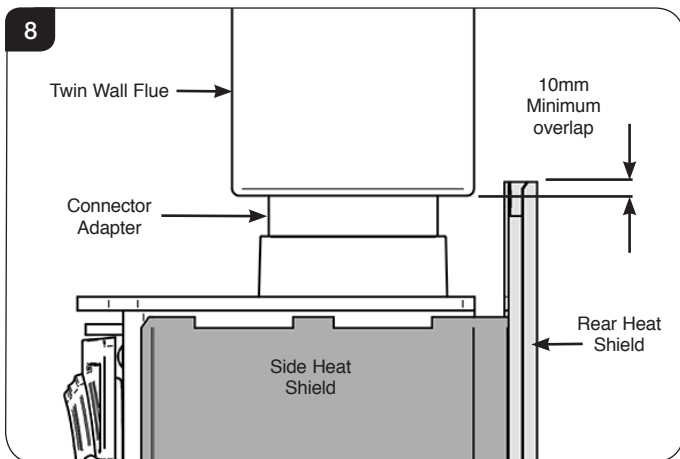


The front of the shield rests on the side of the appliance.

4b.2 Tighten the fixing screws to secure the Heat Shields.
Do not over tighten the fixing screws.

4b.3 Repeat on the other side.

IMPORTANT
When installing the flue pipe the lower edge of the Twin Wall flue must overlap the rear Heat Shield by a minimum of 10mm, see Diagram 8.

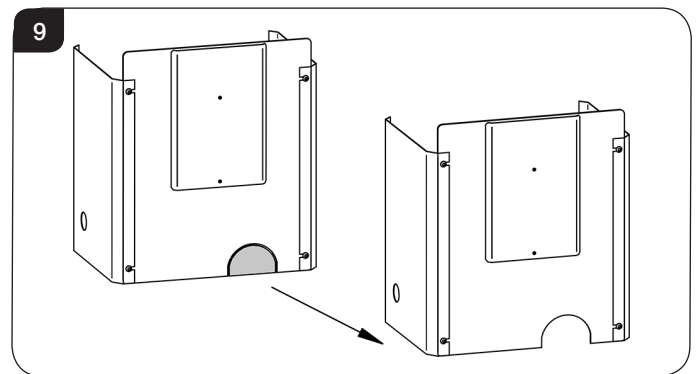


Ensure the correct clearance to combustible materials is maintained from any connecting flue pipes, as detailed in Building Regulations Approved Document J.

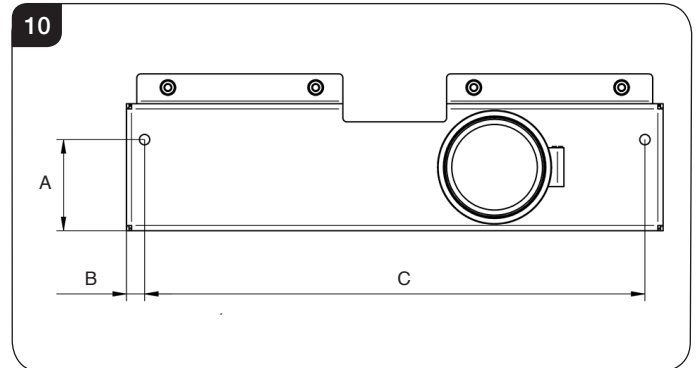
5. Heat Shields fitted with an Outside Air Kit - Vision Small, Vision Midi & Vogue Midi only

If the Heat Shield is to be fitted with an Outside Air Kit, the following steps will need to be carried out prior to installing the Heat Shield kit.

5.1 Knock out the pre-cut hole in the rear Heat Shield, see Diagram 9.

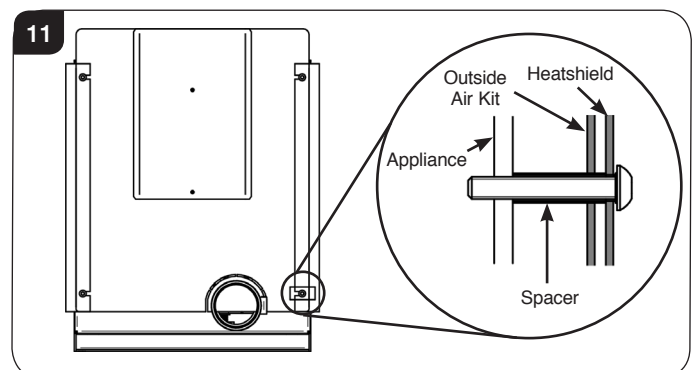


5.2 Drill 2 10mm Ø holes in the Outside Air Kit in the positions shown in Diagram 10 to allow for the spacer tubes.



	A	B	C
Riva Vision Small	46.5	14	341
Riva Vision Midi/ Vogue Midi	70.3	14	386

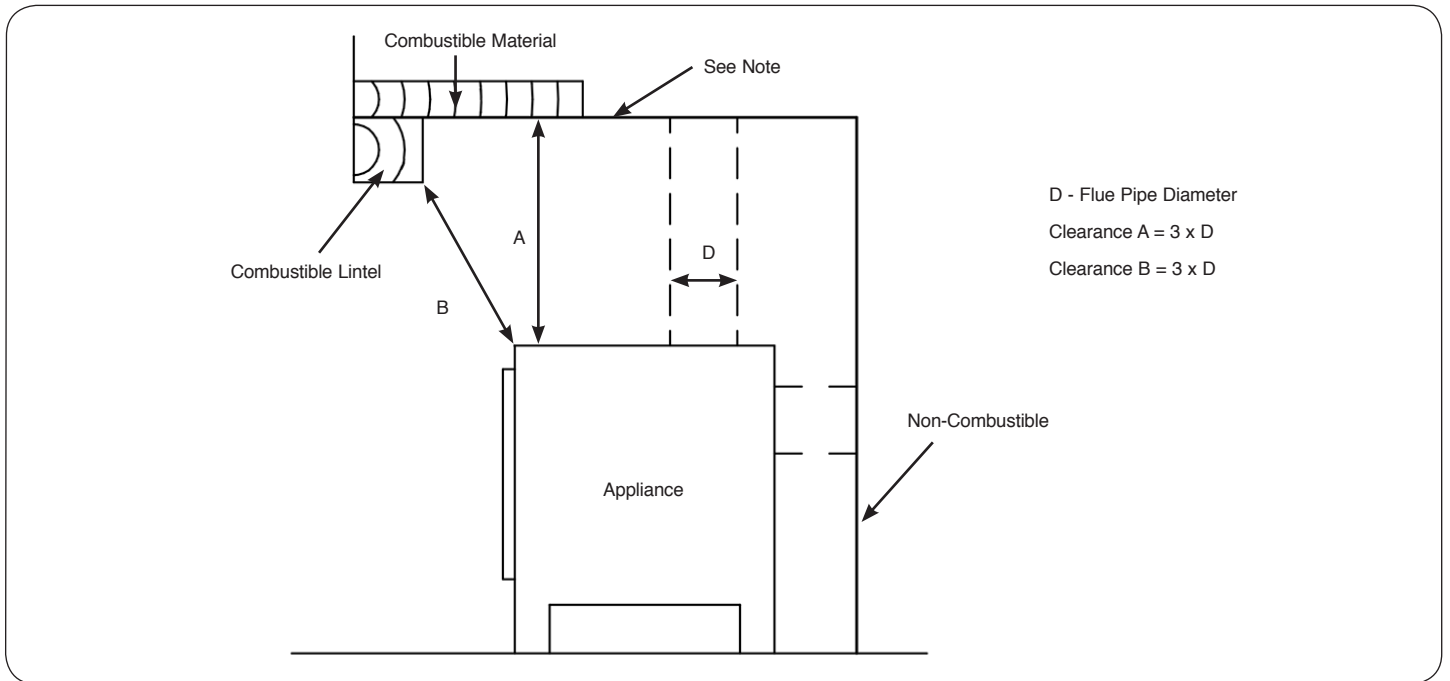
5.3 When fitting the Rear Heat Shield ensure that the spacer tubes pass through the Outside Air kit, see Diagram 11.



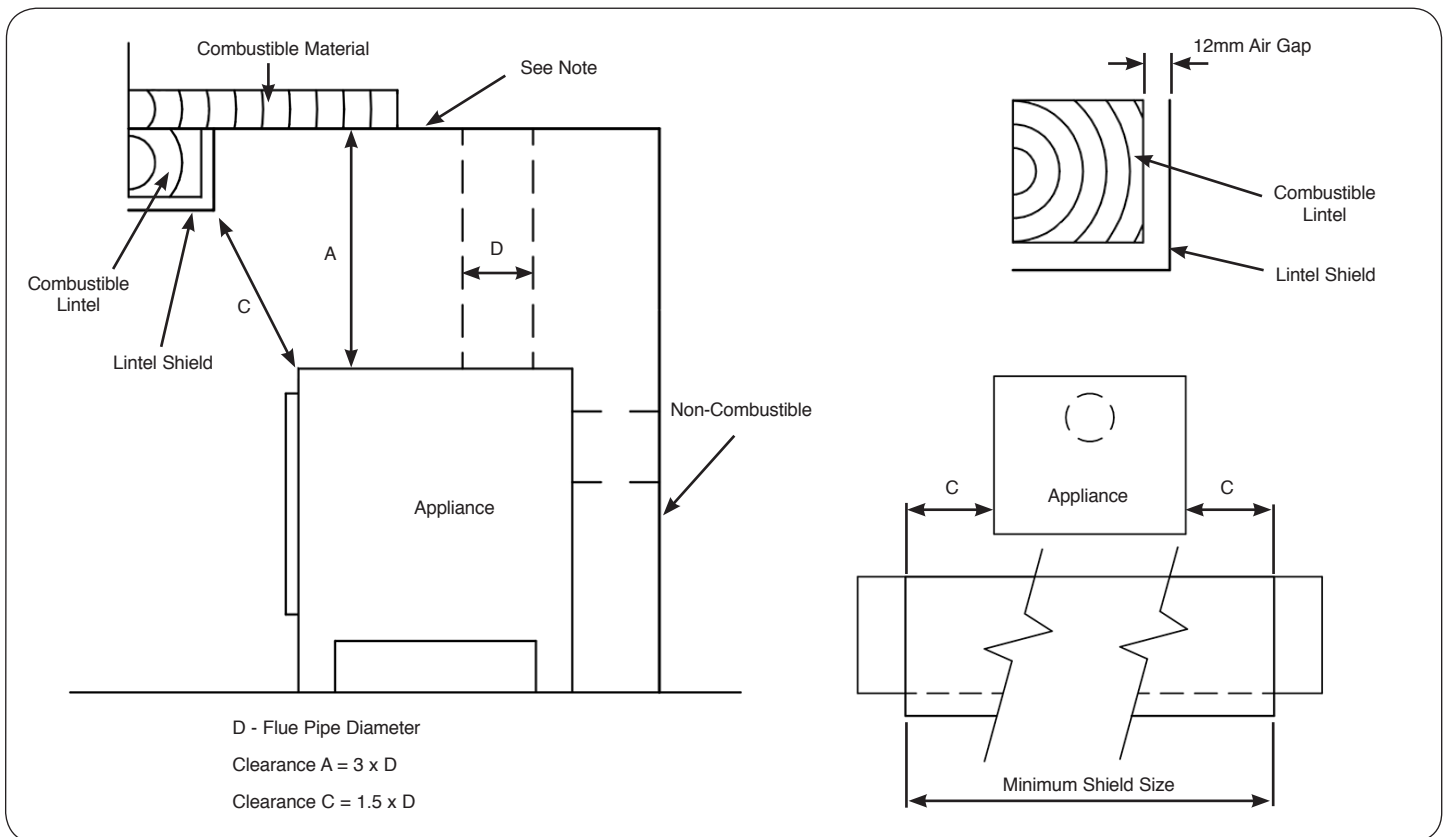
Additional Guidance on Clearances

To be used if there are no specific dimensions given in instructions

No Lintel Shield



Lintel Shield



Note:

- A register plate above the appliance must be made from 1.5mm thick galvanised steel.
- A Closure Plate above the appliance must be made from non-combustible material.
- All Clearances from combustible materials to flue pipes must be as stated in Building Regulations Approved Document J.

Stovax Ltd, Falcon Road, Sowton Industrial Estate, Exeter, Devon, England EX2 7LF
Tel: (01392) 474011 Fax: (01392) 219932 E-mail: info@stovax.com www.stovax.com

E & O E